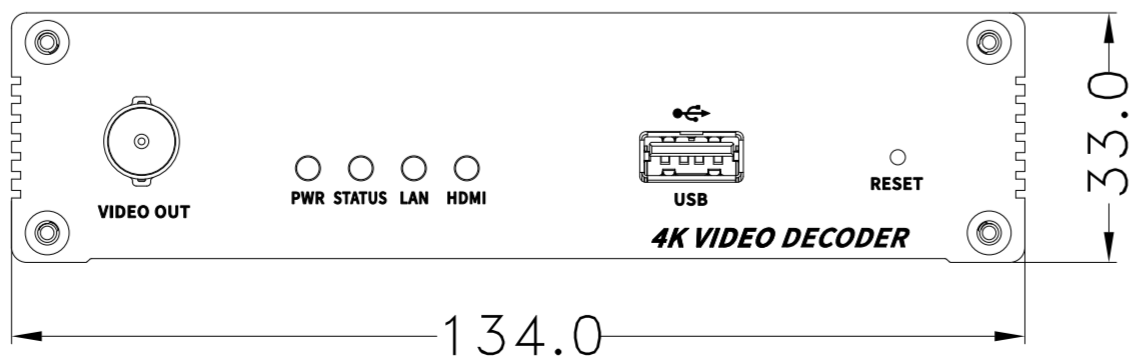
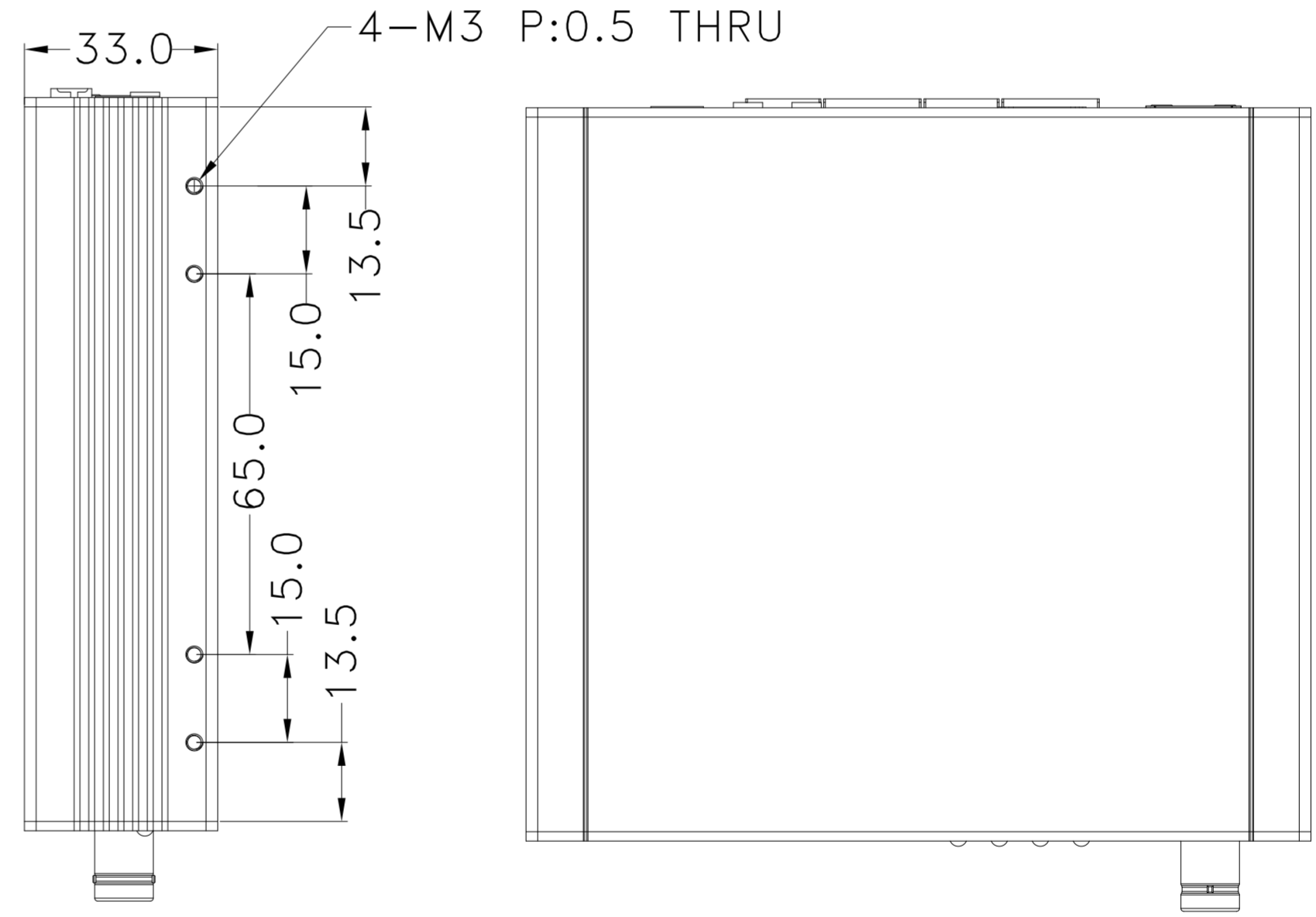
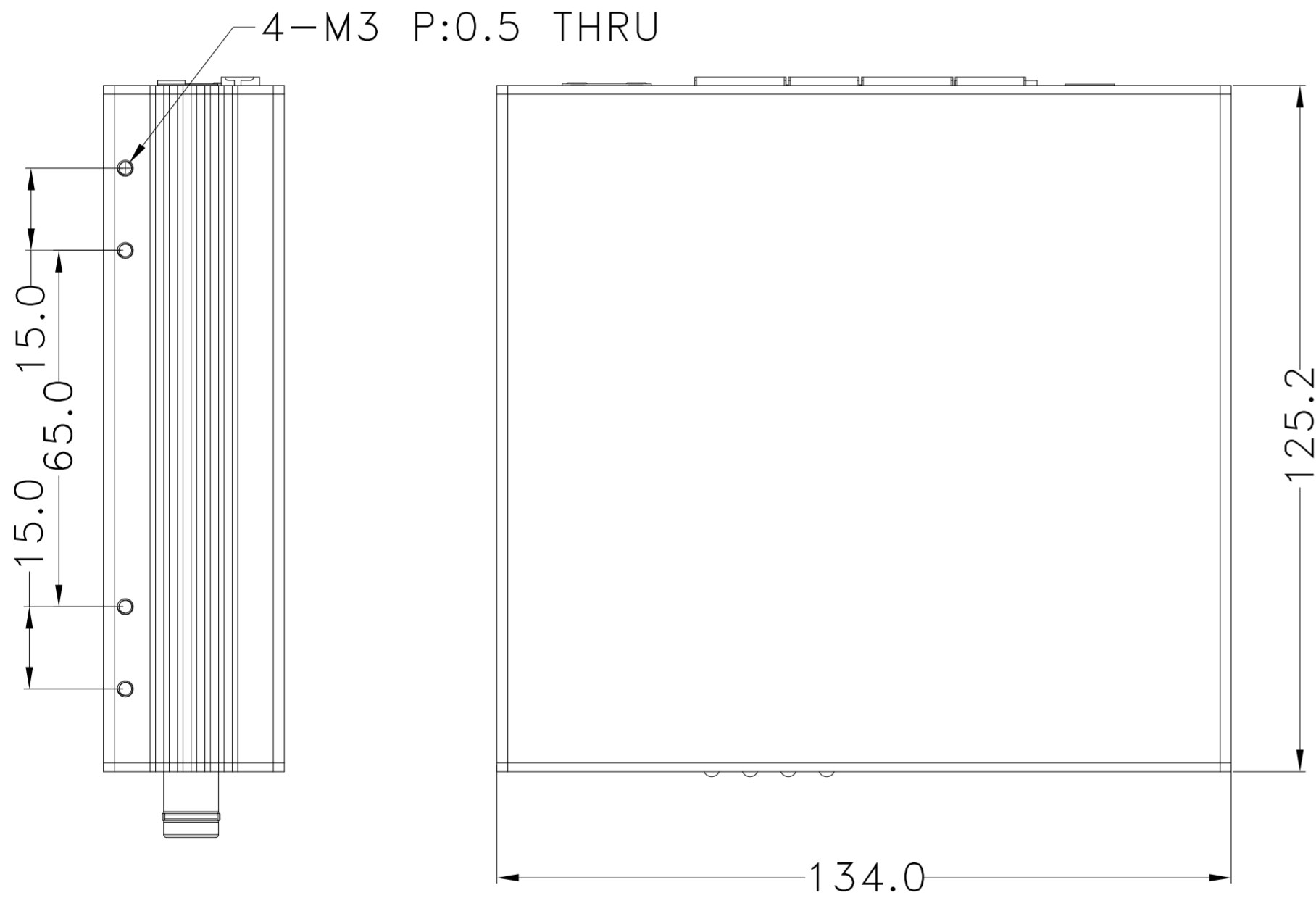
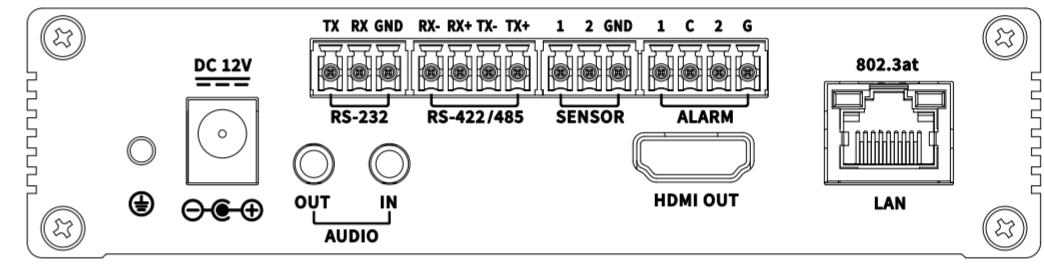
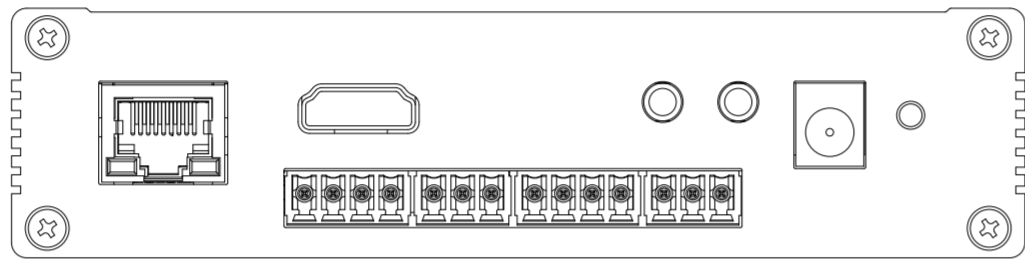
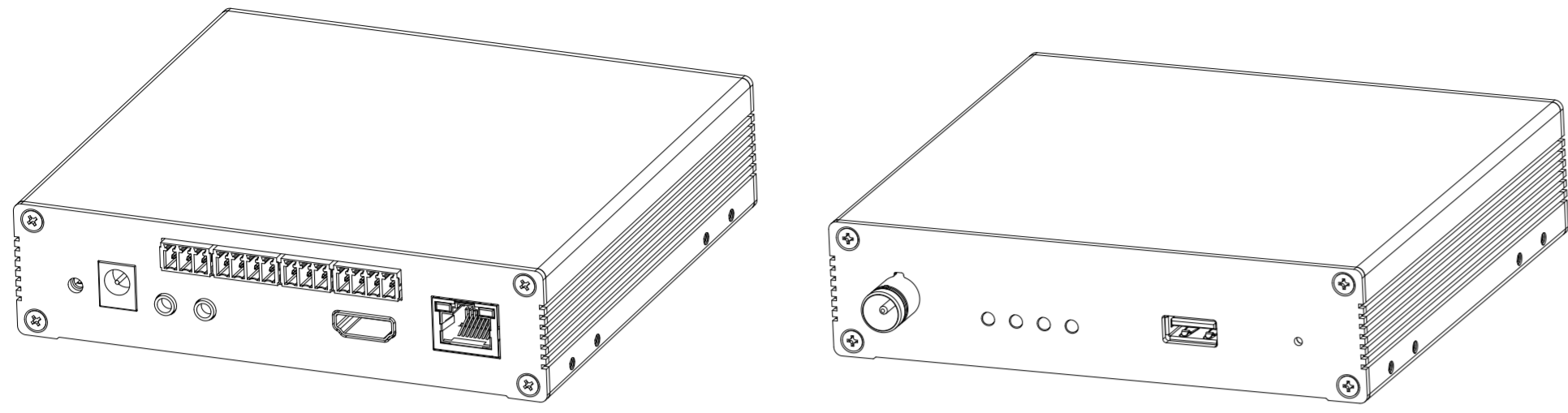


MARK	REASONABLE REVISIONS	REV. DATE	SIGN
△1	-	-	-
△2	-	-	-
△3	-	-	-



PART NAME	Decoder	MATERIAL	AL	END FINISH	-		
MODEL NAME	ANT-36100	SUPPLY	-	SCALE	UNIT	PAGE	SIZE
PART NO & DRAWING NO	DIMENSION	Q'TY	-	REV NO.	-	1 / 1	A2
DRAWN BY	CHECKED BY	APPROVED BY	MODIFIED BY				
J.I. YU.	-	-	-				
2022.08.26	-	-	-				