

ANT-35000 and ANT-36100 setup to use sensor as input to trigger Alarm on other device.

Contents

ANT-35000 and ANT-36100 setup to use sensor as input to trigger Alarm on other device. 1

Document info..... 1

1. Sensor input to Alarm Output..... 2
 - 1.1. Encoder..... 2
 - 1.2. Decoder 2
2. Physical Connectors 3
 - 2.1. Location on Encoder and Decoder 4

The setup information in the guide enables the sensor input on the decoder to trigger the alarm output on the encoder, and sensor input on the encoder to trigger the alarm output on the decoder.

The decoder setup has to be "Normal" – see guide https://www.dropbox.com/s/q4fg6a14olyjayx/ANT-35000to36000_encDecOptions.pdf?dl=0 in section "3. Normal - Proprietary"

For further help and advice please contact Antrica on:
 Email: support@antrica.com
 Phone: +44 1628 626098

Document info

Version	date	author	Comments
0.1	14-Dec-22	David M	Initial release – tested with V3.904B11_T913 and V14.212B01_T913

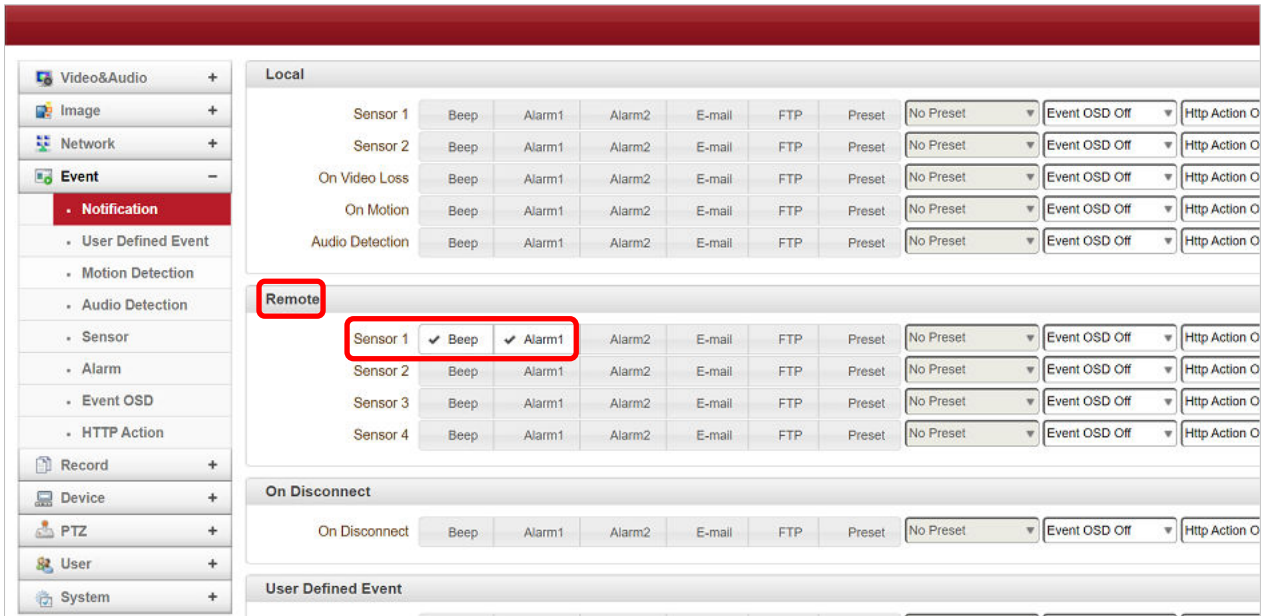
1. Sensor input to Alarm Output

In the example setup below the "Beep" is enable so during testing it can be used to notify when the other devices sensor input has been triggered.

The "Remote" setting is used, as this triggers the **Alarm1** and **Beep** on the partner device.

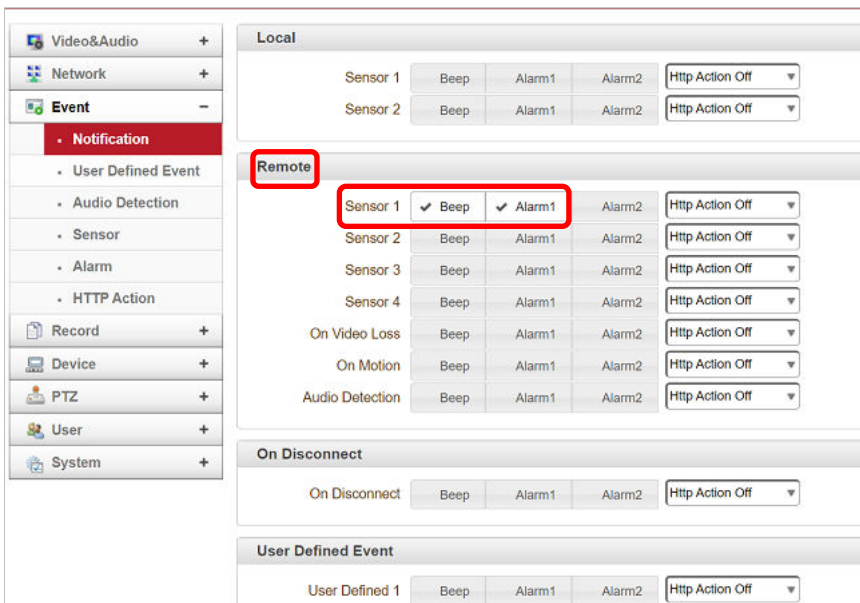
1.1. Encoder

Figure 1 : Encoder Notification setup



1.2. Decoder

Figure 2 : Decoder Notification setup

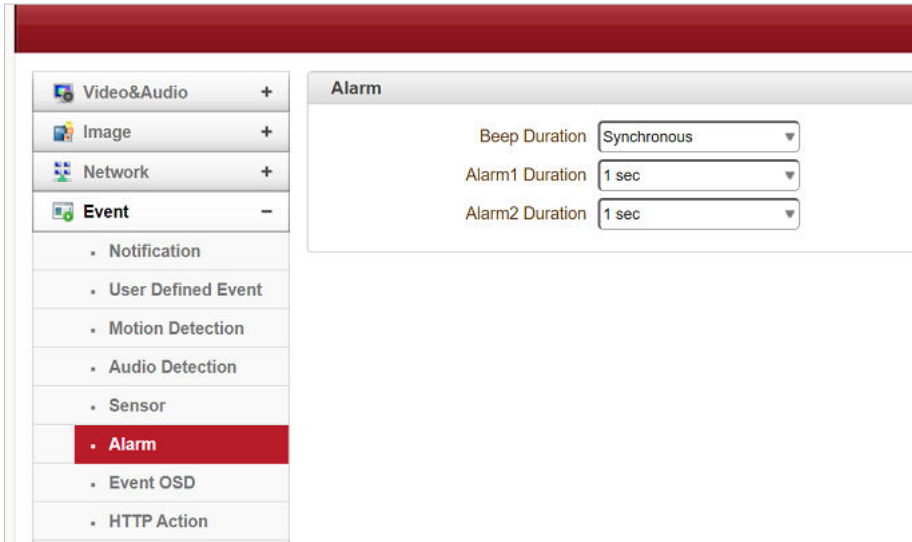


There are additional alarm setting with the **Alarm** webpage, the encoder example is shown in Figure 3. The **Alarm** webpage on the decode is the same.

All three options have the settings of:

- Synchronous
- 1 sec
- 5 sec
- 10 sec
- 30 sec
- 60 sec
- Continuous

Figure 3 : Encoder Alarm settings



2. Physical Connectors

The physical Sensor and alarm connectors are indicated in Figure 6 and Figure 7. The schematic / pinout style information is shown in Figure 4 and Figure 5

Figure 4 : Encoder and Decoder Sensor Inputs

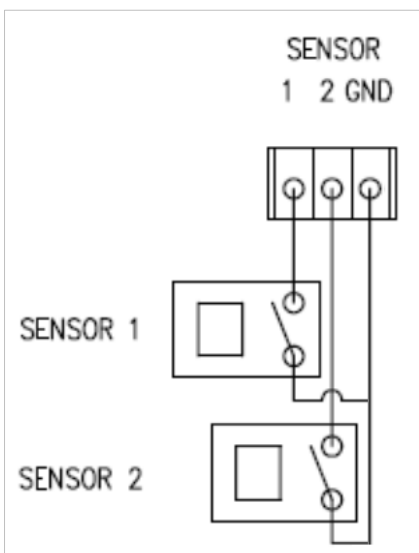
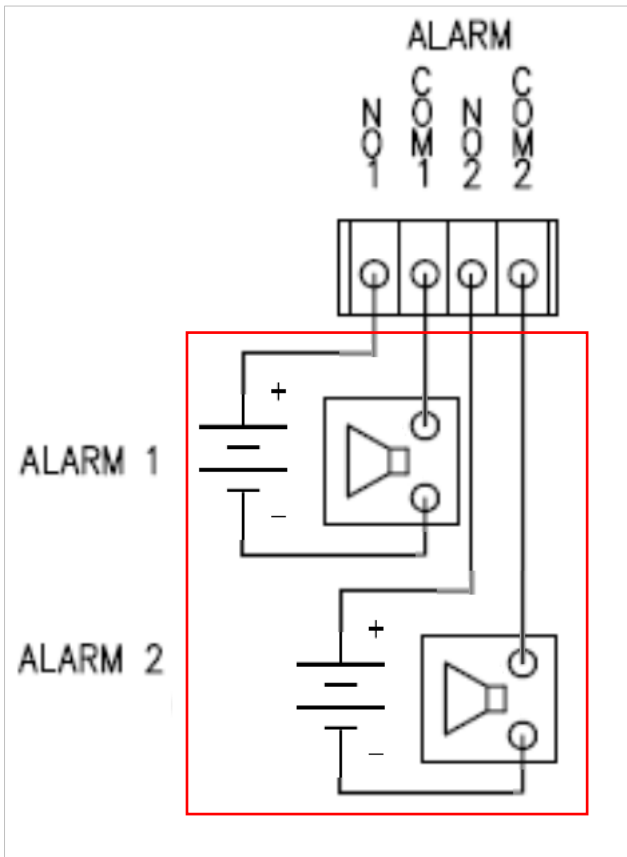


Figure 5 : Encoder and Decoder Alarm output



Alarm contacts maximums 12V and 0.1A.

The alarm contact are "normally open"

An example output is shown in the area enclosed by the red line

2.1. Location on Encoder and Decoder

Figure 6 : ANT-35000 encoder Sensor and Alarm connectors

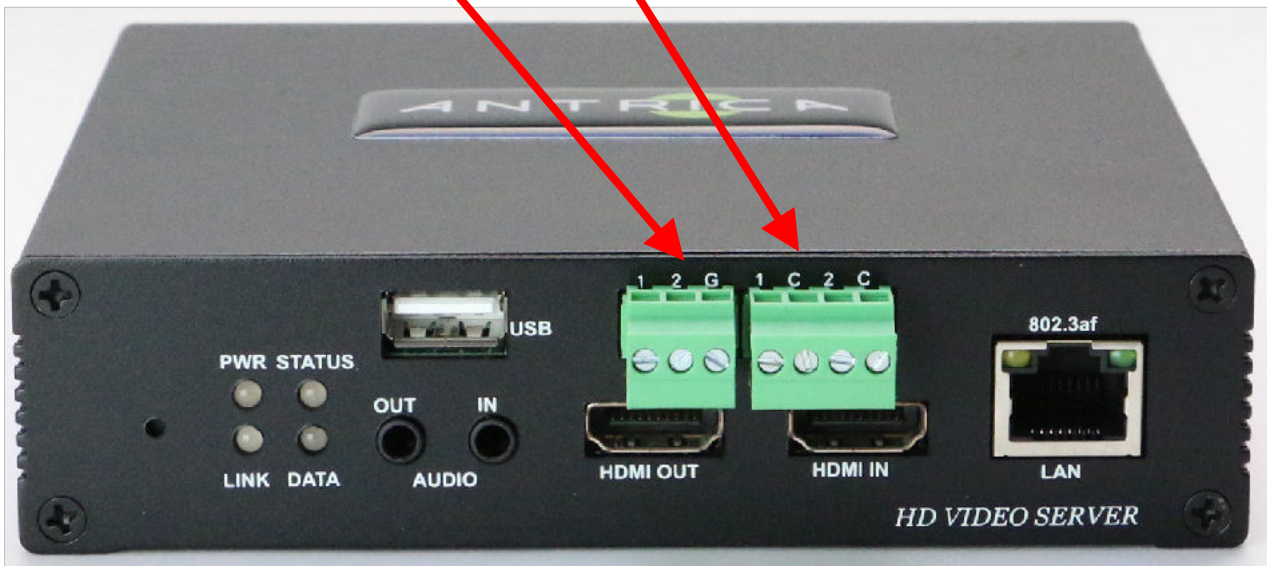


Figure 7 : ANT-36100 decoder representation of Sensor and Alarm connectors

