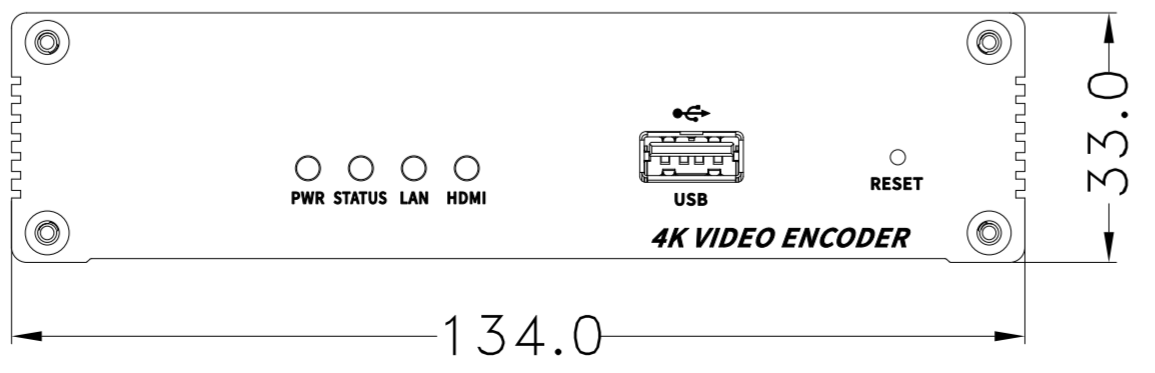
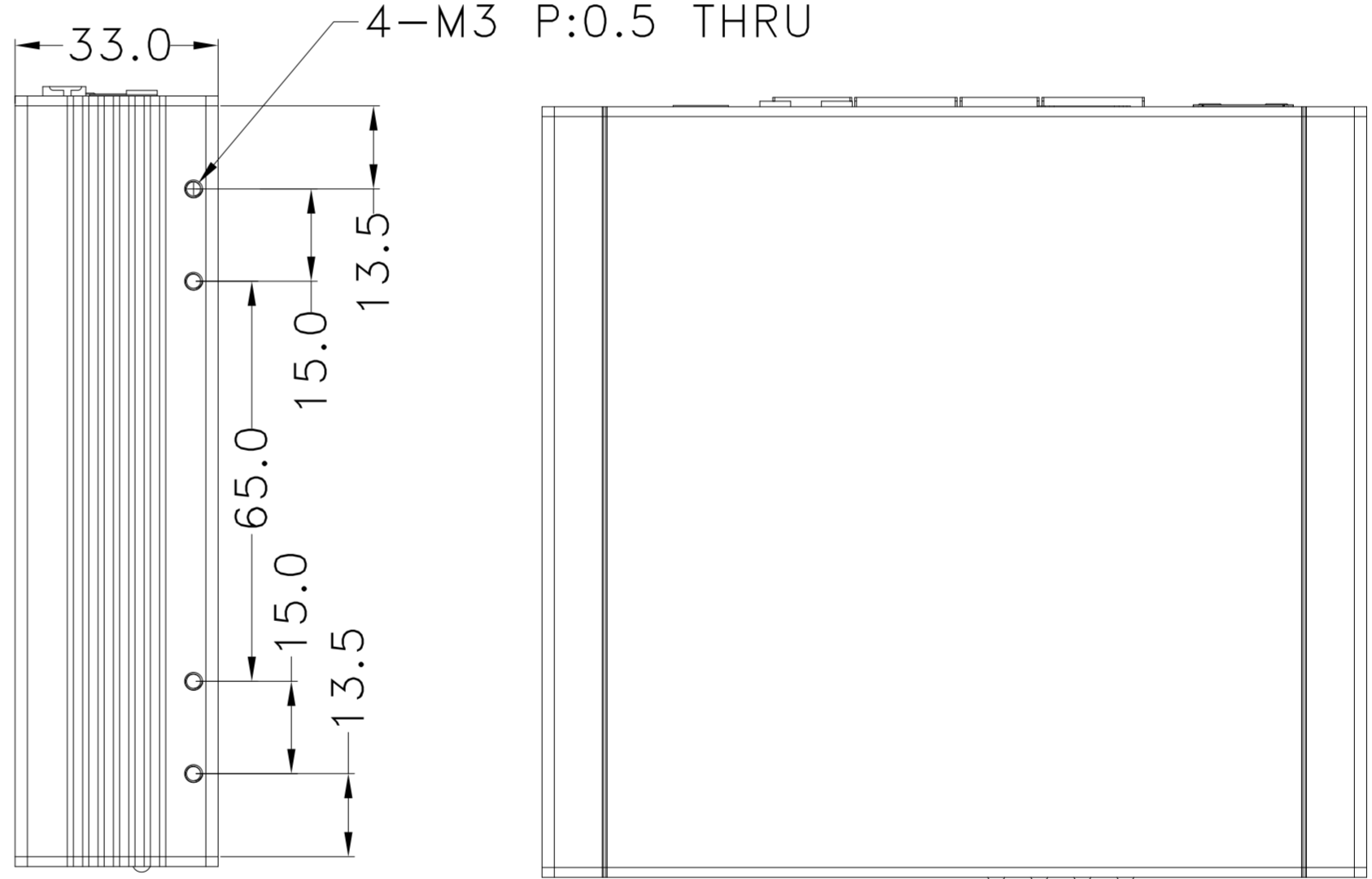
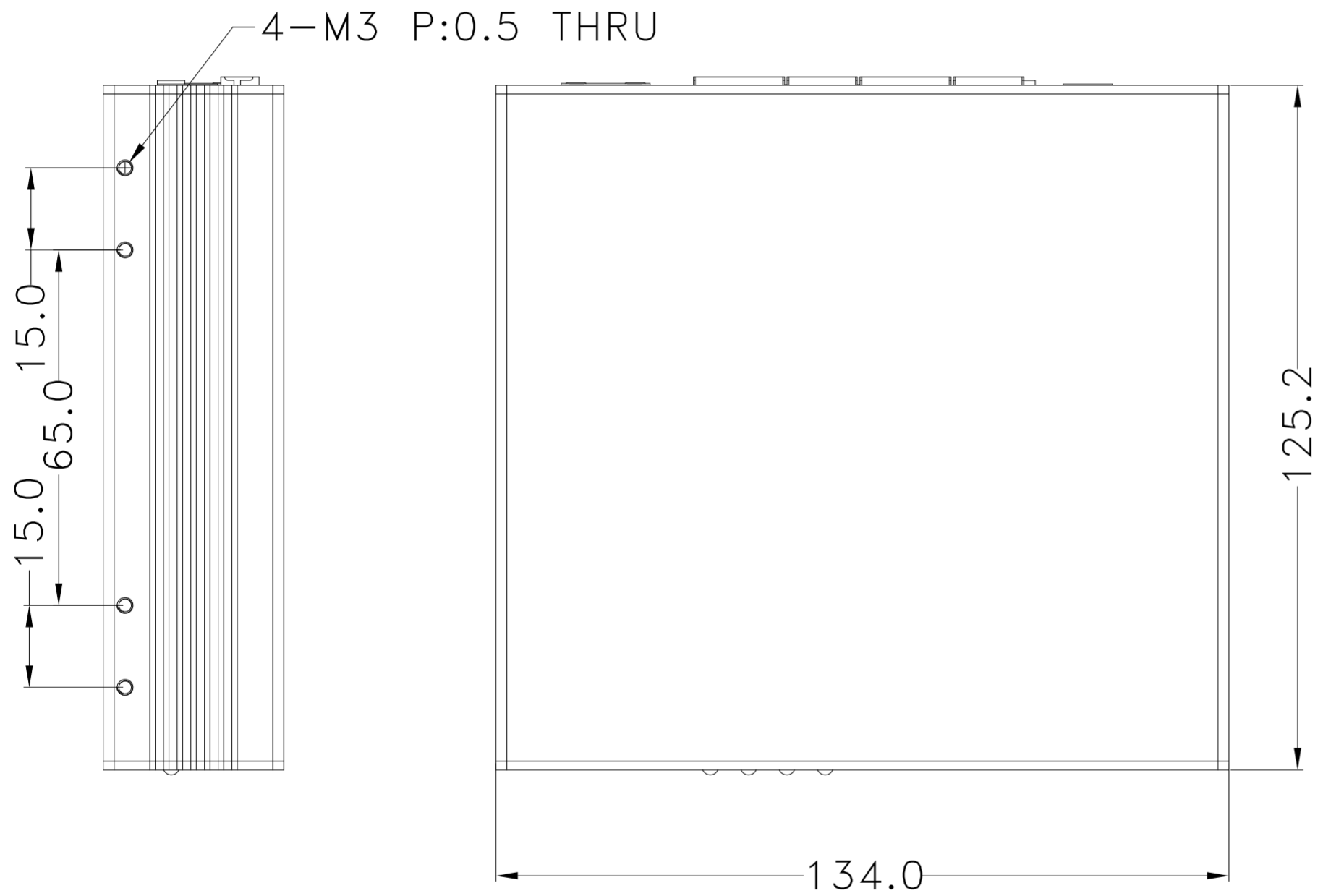
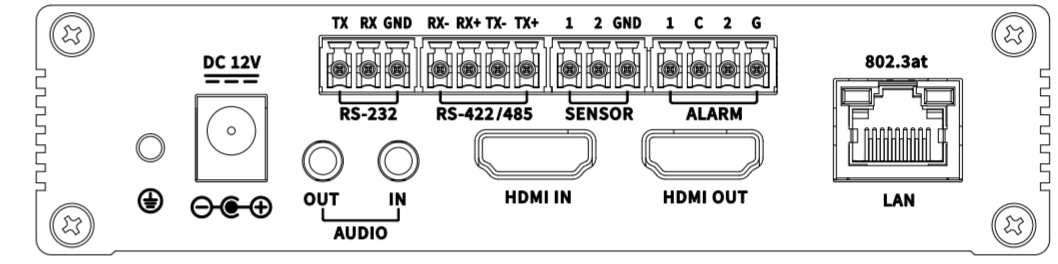
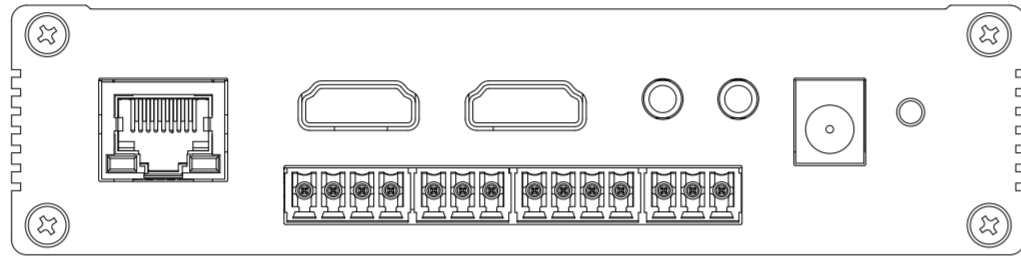
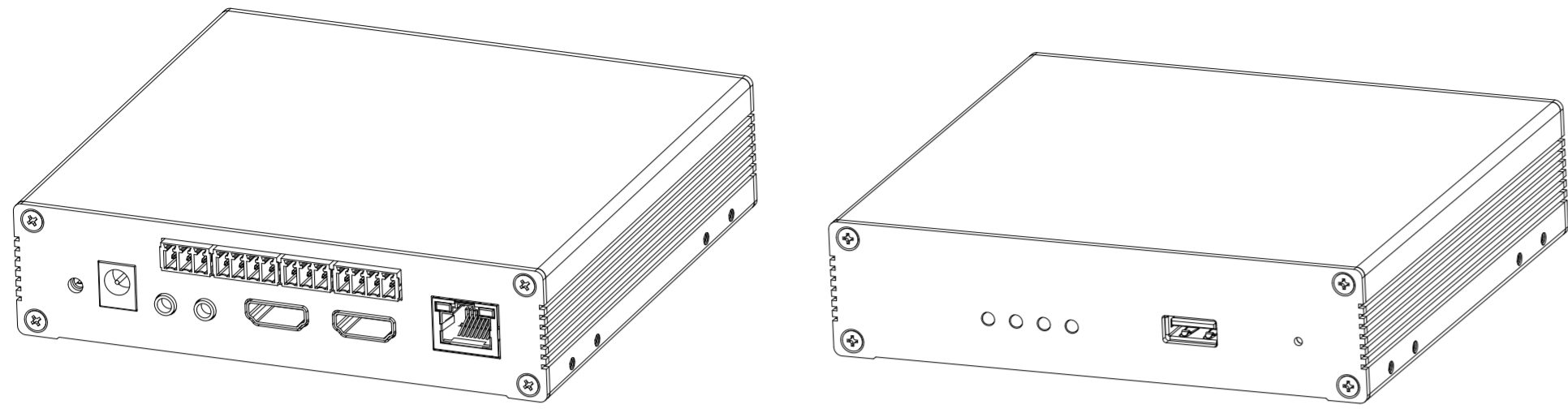


MARK	REASONABLE REVISIONS	REV. DATE	SIGN
①	-	-	-
②	-	-	-
③	-	-	-



PART NAME	Encoder	MATERIAL	AL	END FINISH	-
MODEL NAME	TCS-9500	SUPPLY	-	SCALE	UNIT
PART NO & DRAWING NO	DIMENSION	Q'TY	-	REV NO.	-
DRAWN BY	CHECKED BY	APPROVED BY	MODIFIED BY	1 : 1	mm
J.I. YU.	-	-	-	1 / 1	A2
2022.08.26	-	-	-		