

## Appendix A: Sensor and Alarm Port

### 1. Sensor Port

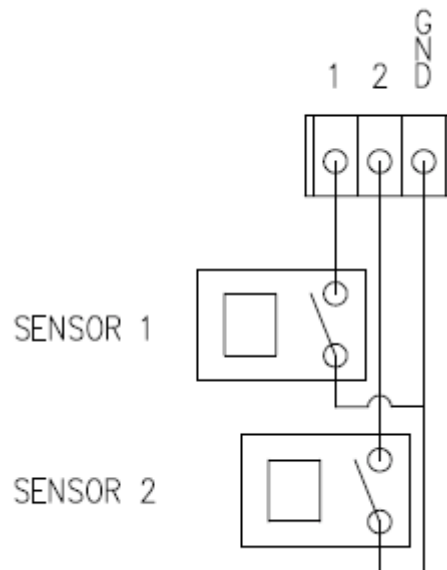
#### ■ Terminal Type

- \* Voltage Rating: 150VAC
- \* Current Rating : 2A
- \* Color : Red

#### ■ Sensor Signal Input Type

- \* NO Contact Signals

#### ■ Connection to External Device



### 2. Alarm Port

#### ■ Terminal Type

- \* Voltage Rating: 150VAC
- \* Current Rating : 2A

#### ■ Relay Type

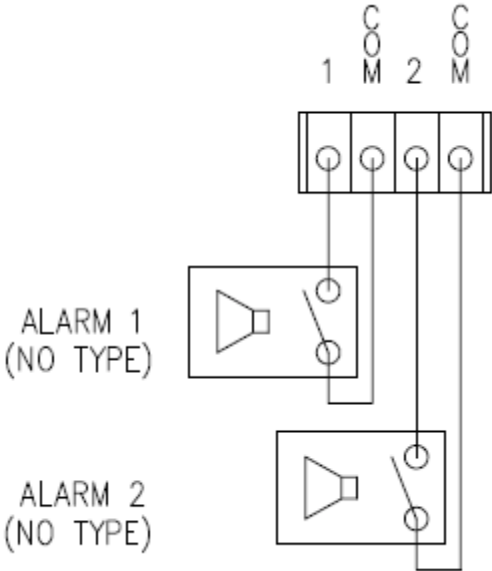
- \* Contact Rating : 1A 30VDC
- \* Switching Power : Max 30W 62.5VA
- \* Switching Voltage : Max 60VDC

#### ■ Alarm Signal Output Type

- \* NO/NC Contact Signals

■ Connection to External Device

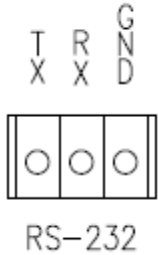
Appendix B: Serial Port



1. RS-232 Port

■ Port Type

- \* 3 PIN
- \* Pin Arrangement



\* Pin Description

Pin NO	Pin Name	Description
1	TX	RS232 TX(Transmit)
2	RX	RS232 RX(Receive)
3	GND	Ground