



# Using ANT-4000E over the Internet

[support@antrica.com](mailto:support@antrica.com)

**IMPORTANT**

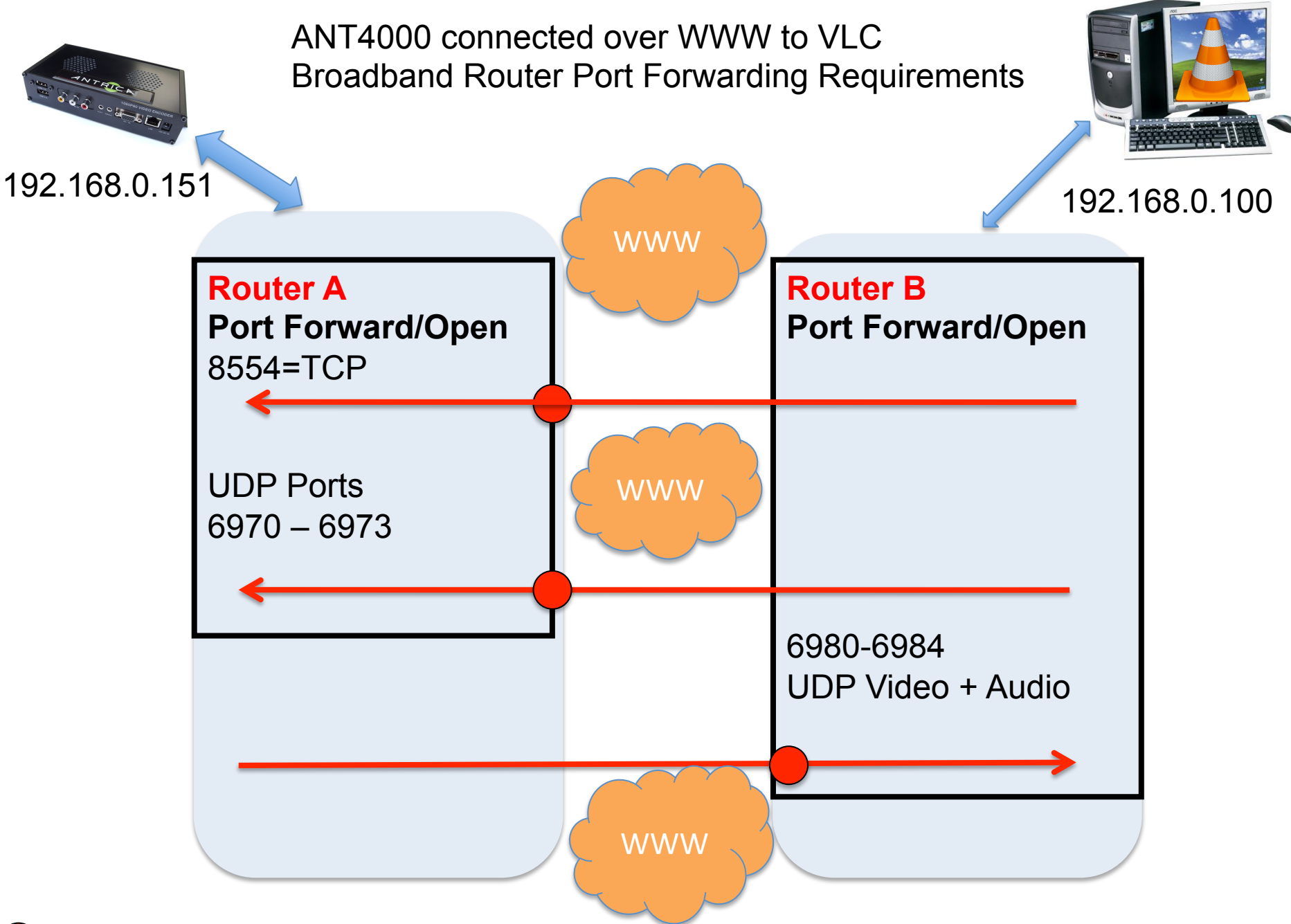
**Upgrade the ANT-4000E to latest  
firmware 203.36 or later**

**March 2014**

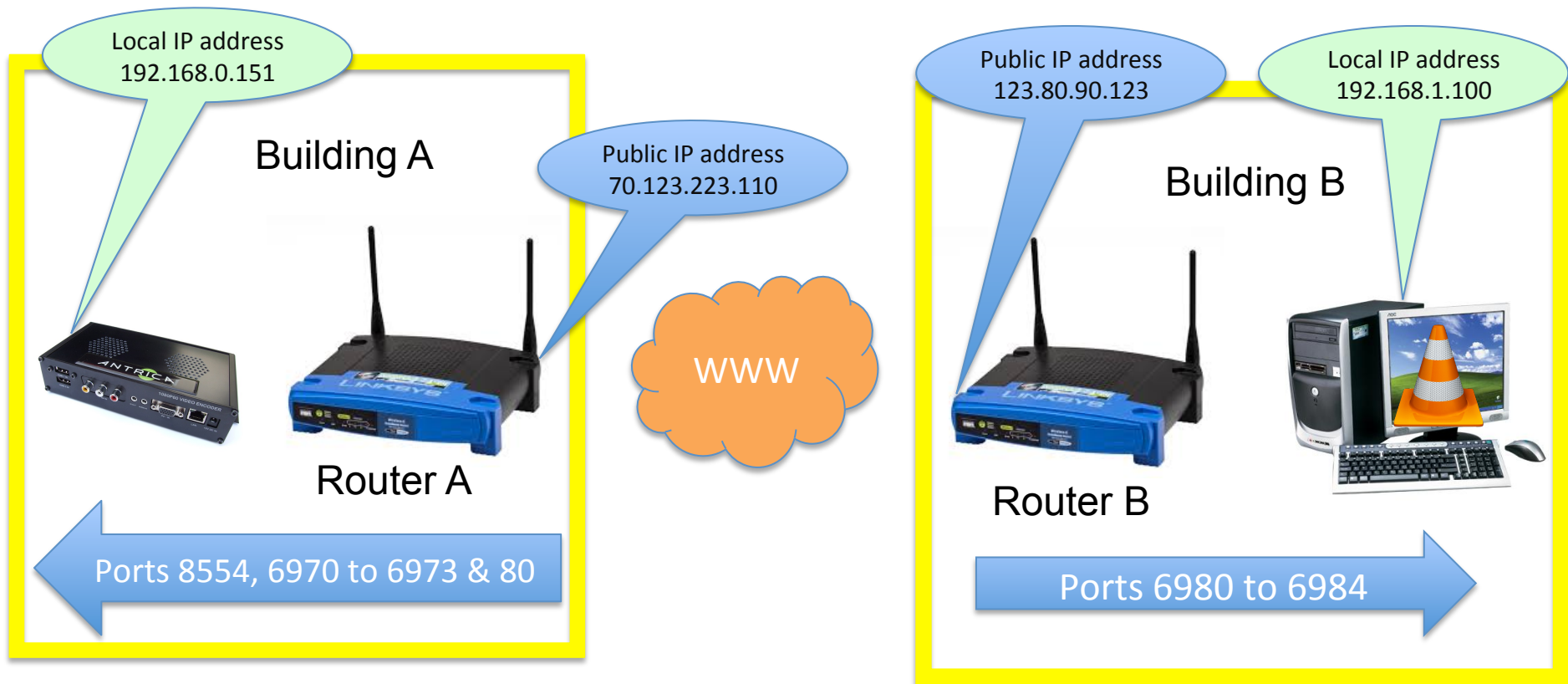
# General Guide to use VLC + ANT-4000E over the Internet

- To allow ANT-4000E to encode and stream over the Internet you must do the following:
- Open Ports (Port Forward) in your ISP Router as shown in next diagrams.
- Configure VLC player so it knows which ports to use for incoming Video/audio. Ports 6980-6984 in this example.
- You use a special VLC command to determine the starting Port  
***:rtp-client-port=6980***
- If you have more than one VLC client you will need to Port Forward additional ports at the ANT-4000E Router A end  
6970-6973 for Client 1 the 6974-6977 client 2 etc.
- Ports 6980-6984 in this example are used to stream video and audio from the ANT-4000E to VLC

ANT4000 connected over WWW to VLC  
Broadband Router Port Forwarding Requirements



● Open these Ports in Router and forward them to IP address of VLC computer or ANT-4000E respectively



### In Router A Open/ Forward following Ports

8554 TCP forward to 192.168.0.151  
 6970,6971,6972 &6973 UDP to 192.168.0.151  
 80 TCP to 192.168.0.151 for web page setup

### In Router B Open/ Forward following Ports

6980,6981,6982, 6983& 6984 UDP to 192.168.1.100  
 Note! You may choose 5 other ports if these are being used already. However in VLC player you will need to specify which 5 ports you have chosen

See next page for VLC settings

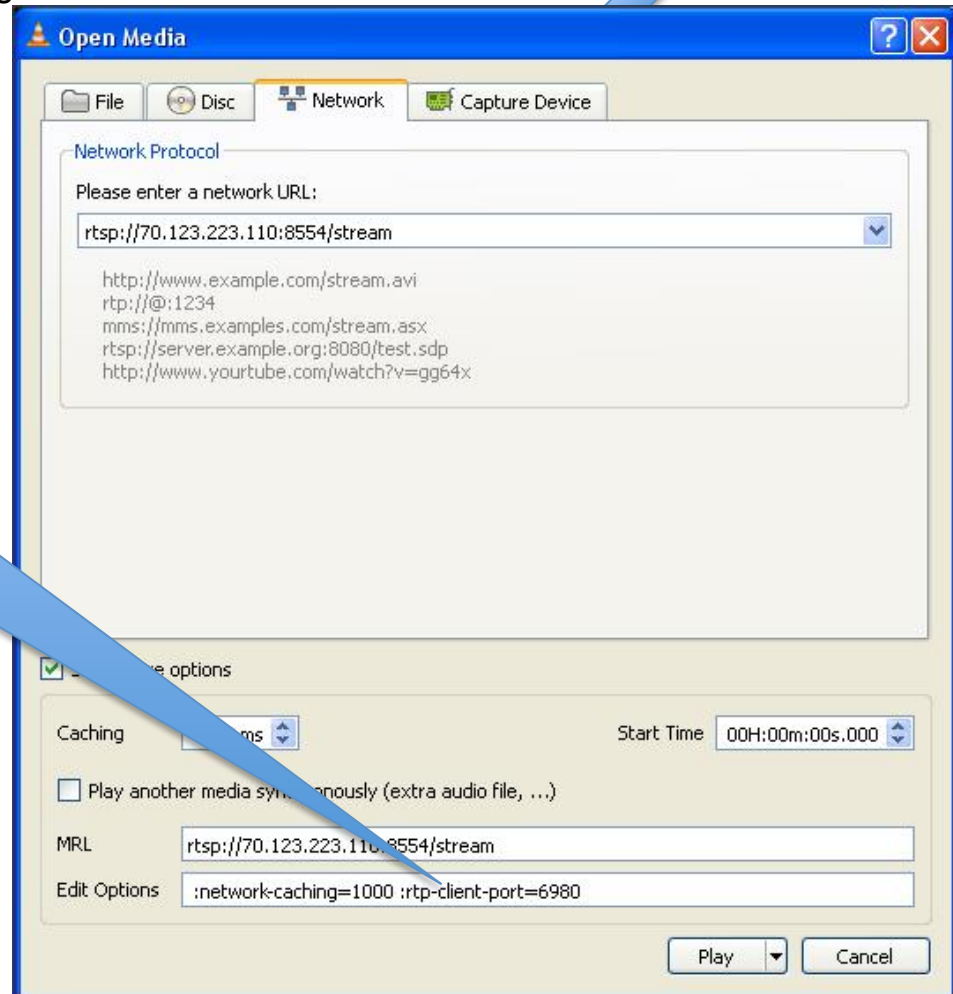
# ANT4000 connected over WWW to VLC: VLC setup



VLC: Click- Media/ Open Network Stream

Type `rtsp://70.123.223.110:8554/stream`  
Use your PUBLIC IP address of Router A  
click “more options” and tell VLC which UDP ports  
you want to receive Video and Audio on  
Click “PLAY”

In this example type the  
first Port number 6980  
`:rtp-client-port=6980`



# Web Browser

- To view the web page of the ANT-4000E from Building B type
- <http://70.123.223.110>
- This will be forwarded to the ANT-4000E assuming port 80 has been port forwarded to 192.168.0.100