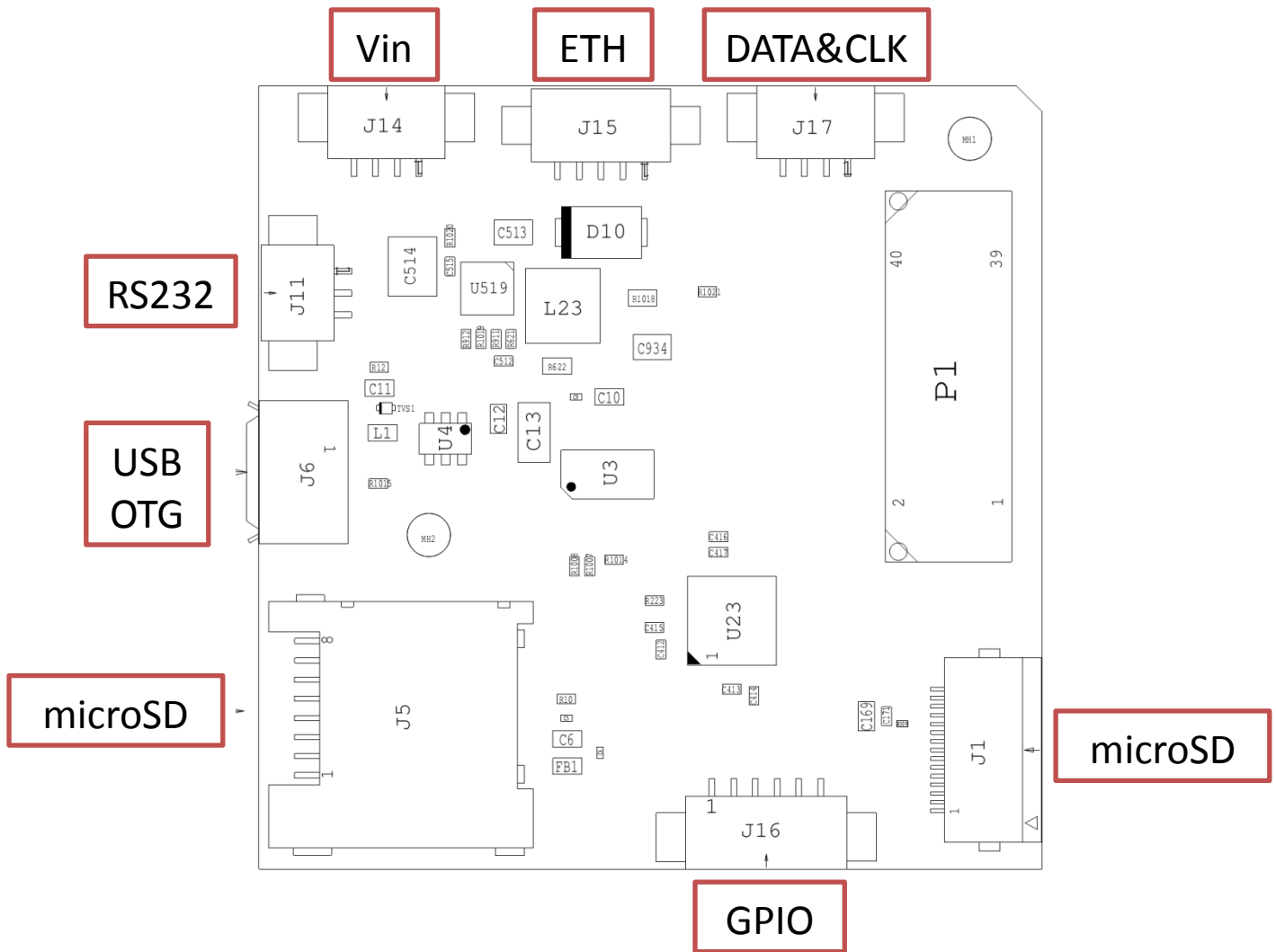
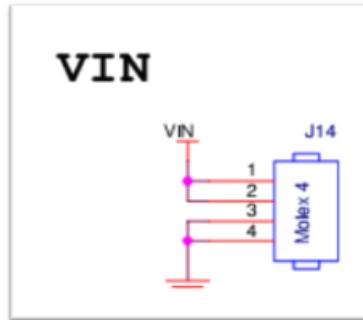


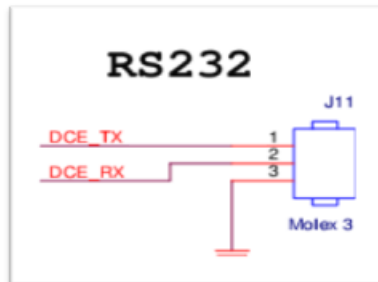
PINOUT CONNECTORS



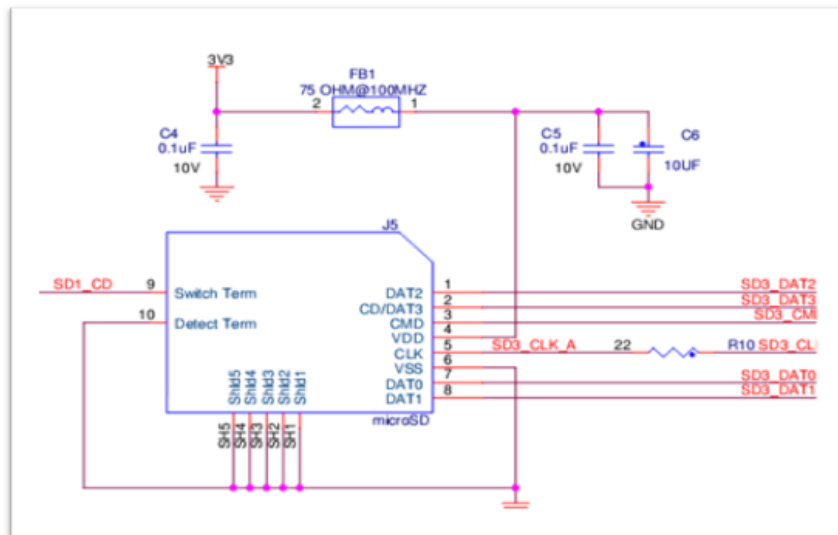
J14-POWER	
1.	5V-32V
2.	
3.	GND
4.	



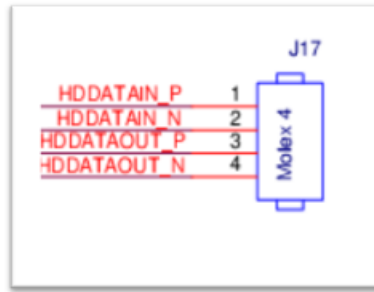
J11-RS232 (TERMINAL)	
1.	DCE_TX
2.	DCE_RX
3.	GND



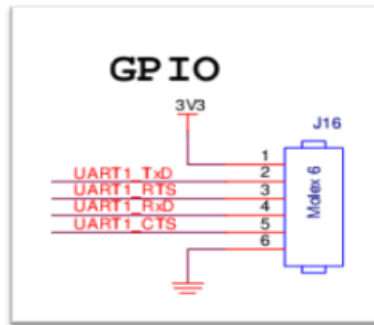
J5-microSD	
1.	DATA2
2.	DATA3
3.	CMD
4.	3.3V
5.	CLK
6.	GND
7.	DATA0
8.	DATA1



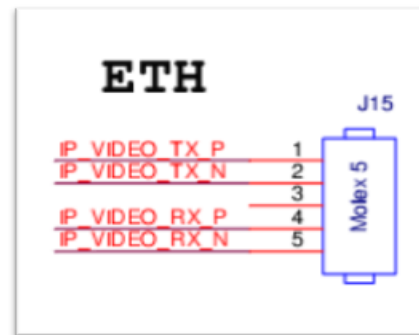
J17-DATA&CLK	
1.	DATA_P
2.	DATA_N
3.	CLK_P
4.	CLK_N



J16-GPIO/UART	
1.	3.3V
2.	G/UART_TX
3.	G/UART_RTS
4.	G/UART_RX
5.	G/UART_CTS
6.	GND



J15-ETHERNET	
1.	TX_P
2.	TX_N
3.	N.C
4.	RX_P
5.	RX_N



J6-USB OTG	
1.	5V
2.	USB_DM
3.	USB_DP
4.	ID
5.	GND

