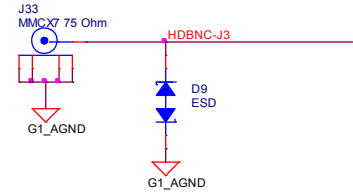
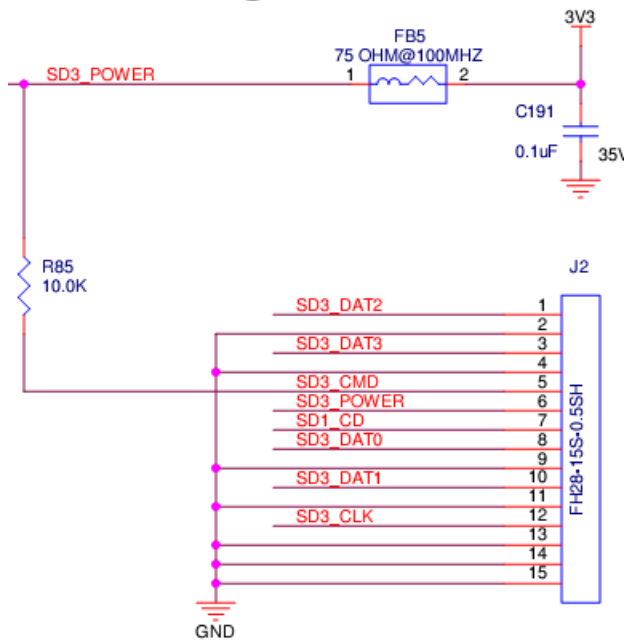


J3,J4,J33	
Pin Num	Name
1	SIG
2-5	GND



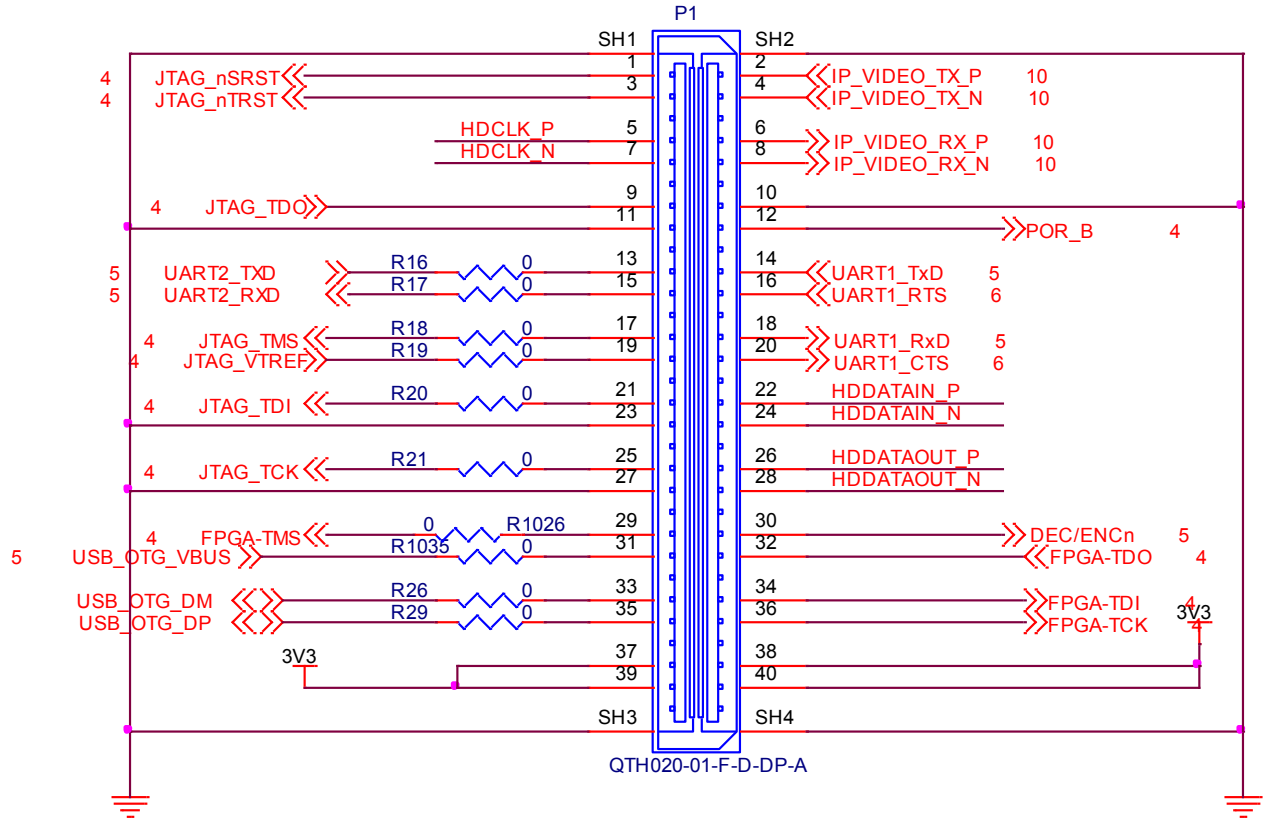
J1 - SD1 (FFC)	
Pin Num	Name
1	SD1_DATA2
2	GND
3	SD1_DATA3
4	GND
5	SD1_CMD
6	3.3V
7	SD1_CD
8	SD1_DATA0
9	GND
10	SD1_DATA1
11	GND
12	SD1_CLK
13	GND
14	
15	

SD



P1 – I/F

Pin Num	Name	Pin Num	Name
1	JTAG_nSRST	21	JTAG_TDI
2	ETH_TX_P	22	HDDATA_IN_P
3	JTAG_nTRST	23	GND
4	ETH_TX_N	24	HDDATA_IN_N
5	HDCLK_P	25	JTAG_TCK
6	ETH_RX_P	26	HDDATA_O_P
7	HDCLK_N	27	GND
8	ETH_RX_N	28	HDDATA_O_N
9	JTAG_TDO	29	FPGA-TMS
10	GND	30	DEC/ENCn
11	GND	31	USB-OTG_VBUS
12	POR_B	32	FPGA-TDO
13	UART2_TXD	33	USB-OTG_DM
14	UART1_TX	34	FPGA-TDI
15	UART2_RXD	35	USB-OTG_DP
16	UART1_RTS	36	FPGA-TCK
17	JTAG_TMS	37	3.3V
18	UART1_RX	38	
19	JTAG_VTREF	39	
20	UART1_CTS	40	



PIN Num	Name
1	LINE_IN+
2	LINE_IN-
3	GND
4	LINE_OUT+
5	LINE_OUT-
6	PTT_IN
7	PTT_OUT
8	GND_PTT

