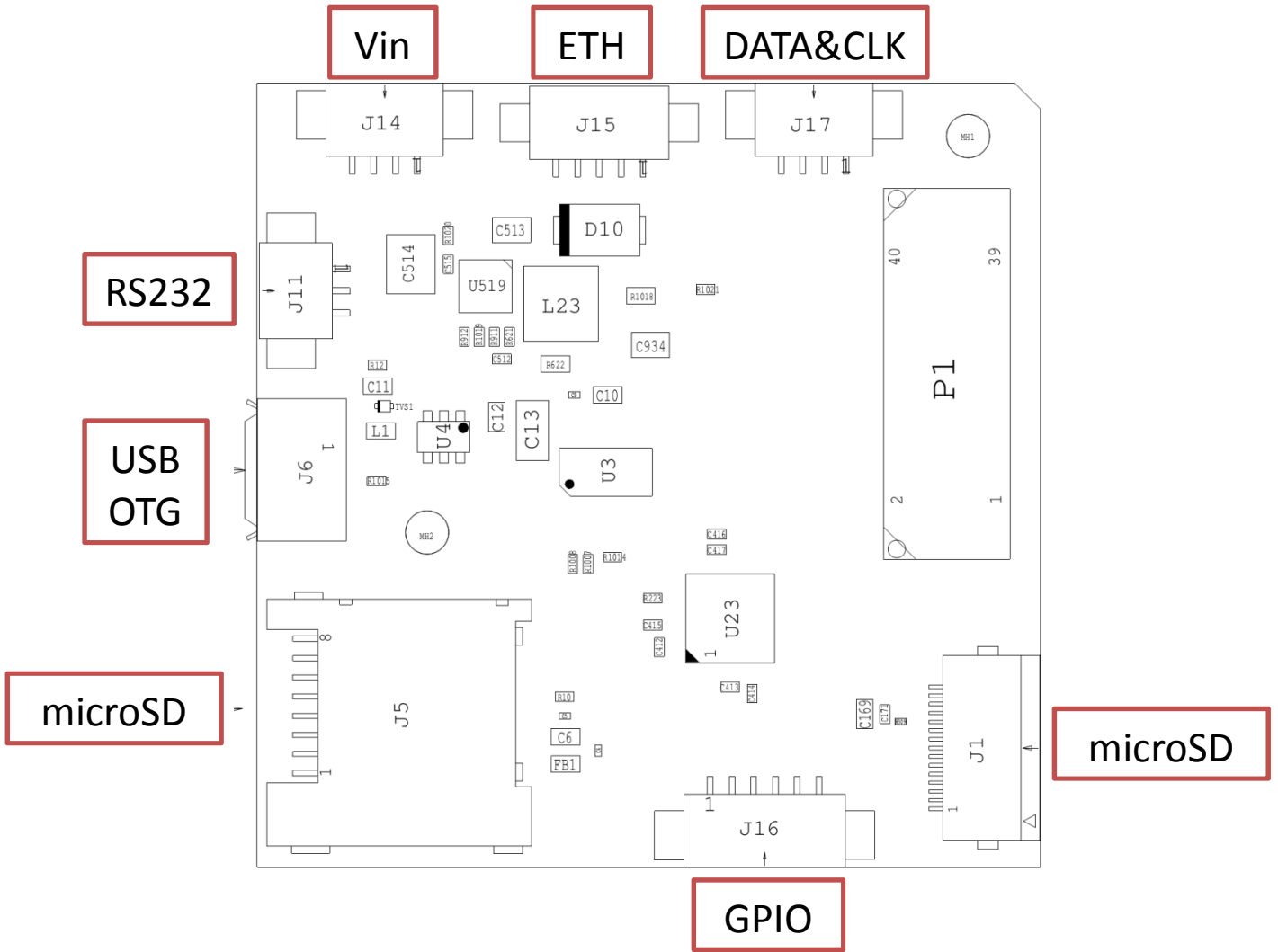


# ANT-1772

## PLACEMENT



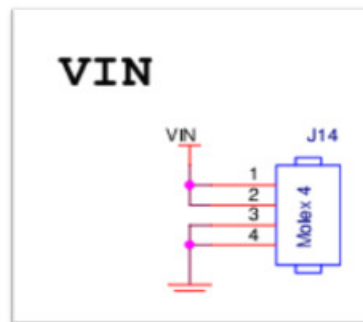
# ANT-1772

## Connector Details

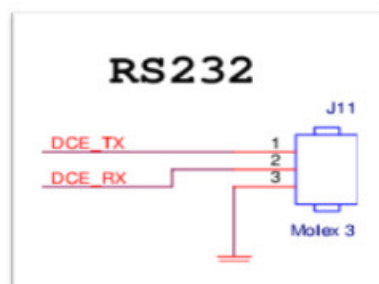
REF	MFC	PN Connector	Description
J14	molex	53261-0471	Power
J11		53261-0371	RS232 TERMINAL
J5		5031820853	microSD
J17		53261-0471	CLK&DATA
J16		53261-0671	UART OR GPIO
J15		53261-0571	ETHERNET
J6		47589-0001	USB - OTG

## PINOUT CONNECTORS

J14-POWER	
1.	5V-32V
2.	
3.	GND
4.	

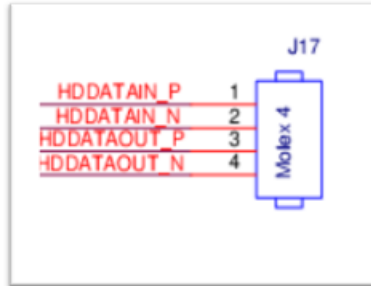


J11-RS232 (TERMINAL)	
1.	DCE_TX
2.	DCE_RX
3.	GND

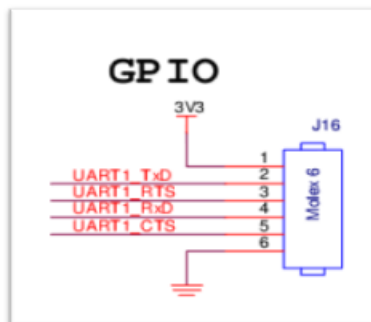


# ANT-1772

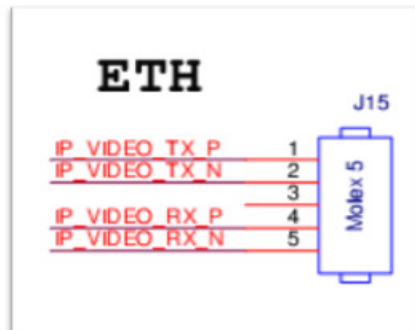
J17-DATA&CLK	
1.	DATA_P
2.	DATA_N
3.	CLK_P
4.	CLK_N



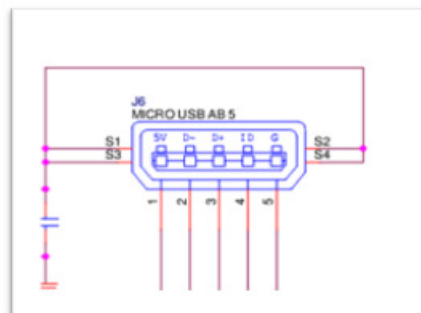
J16-GPIO/UART	
1.	3.3V
2.	G/UART_TX
3.	G/UART_RTS
4.	G/UART_RX
5.	G/UART_CTS
6.	GND



J15-ETHERNET	
1.	TX_P
2.	TX_N
3.	N.C
4.	RX_P
5.	RX_N

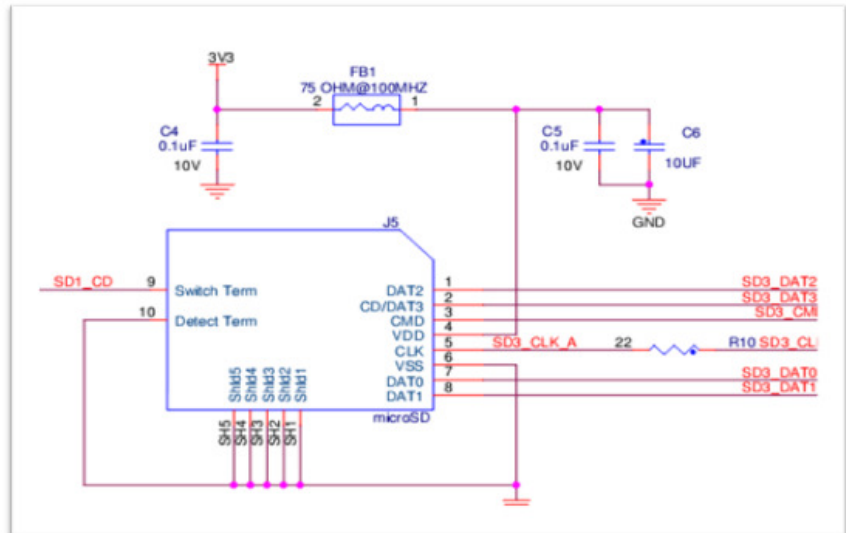


J6-USB OTG	
1.	5V
2.	USB_DM
3.	USB_DP
4.	ID
5.	GND



# ANT-1772

J5-microSD	
1.	DATA2
2.	DATA3
3.	CMD
4.	3.3V
5.	CLK
6.	GND
7.	DATA0
8.	DATA1



Antrica