

# ANT-1773Q – Quad analogue connector details

## Contents

ANT-1773Q – Quad analogue connector details ..... 1

Document info..... 1

1. Connector location ..... 2

2. Schematic Pinout..... 2

3. Part numbers ..... 3

4. Supplied cable\* ..... 3

    4.1. manufacturing drawing ..... 3

For further help and advice please contact Antrica on:  
 Email: [support@antrica.com](mailto:support@antrica.com)  
 Phone: +44 1628 626098 ext 3

## Document info

Version	date	author	Comments
1.0	10-Feb-21	David M	Initial release

# 1. Connector location

Figure 1 : ANT-1773 Mezzanine board side

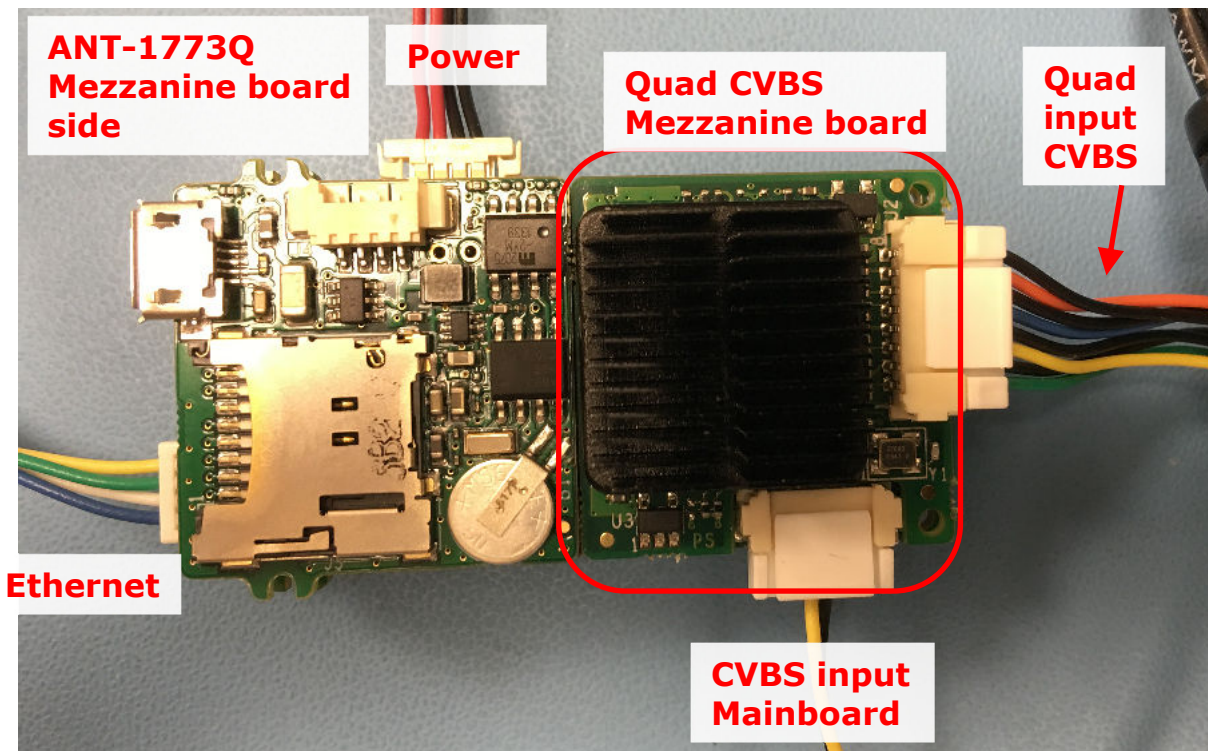
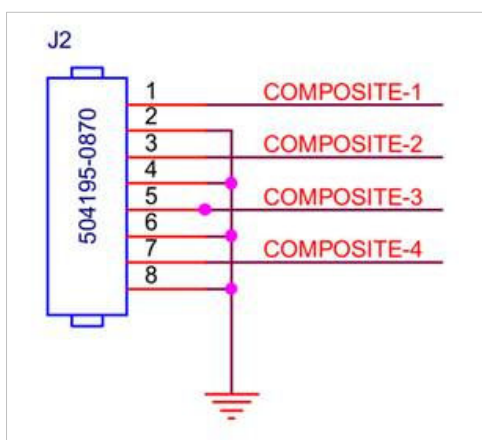


Table 1 : Quad connector cable colour vs channel ID

Camera Name	Cable Colour	Cable Label	Pin
CSI-2 CH-0	green	Video 1	1
CSI-2 CH-1	yellow	Video 2	3
CSI-2 CH-2	blue	Video 3	5
CSI-2 CH-3	red	Video 4	7

# 2. Schematic Pinout

Figure 2 : Quad connector pin-out



### 3. Part numbers

Table 2 : Quad connector part numbers

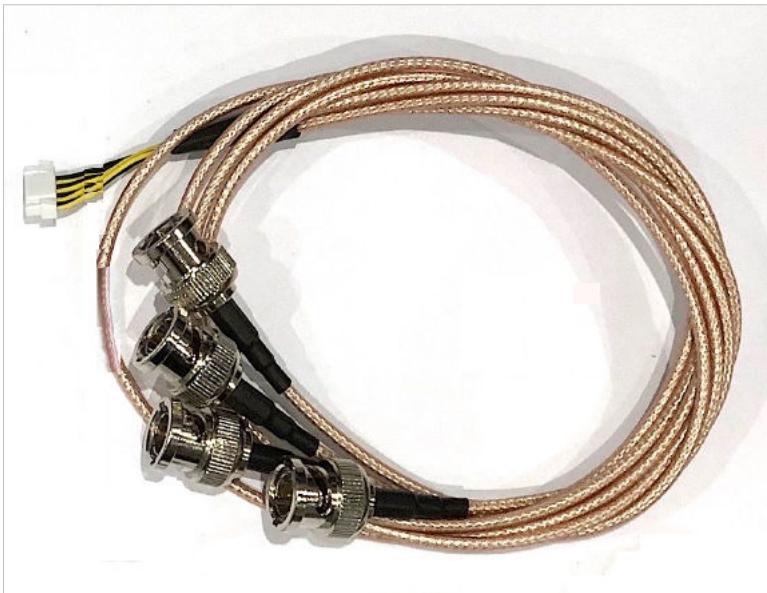
Location	MFG	PN	Description
PCB connector	molex	504195-0870	Micro-Lock 1.25mm Pitch Single-Row Right-Angle Header, Beige, 8 Circuits
Cable connector	molex	504193-0800	Micro-Lock 1.25mm Pitch Single-Row Crimp Housing, White, 8 Circuits

### 4. Supplied cable\*

\*If requested

Antrica Part number : ANT-1773C-QCOMP

Figure 3 : cable ANT-1773C-QCOMP



#### 4.1. manufacturing drawing

The manufacturing drawing is on the next page

