



ANT-1773 Nano
HDSDI

Rev : 1.0

M-Z-00017-00000



Contents

Overview	3
Functionality	3
Electrical Characteristics	3
Connector Details	3
Block Diagram	4
PLACEMENT	5
Pinout	6
Mounting	7

Overview

The hardware specifications for the ANT-1773- board are the following:

- Quad-Core ARM® Cortex A9 processor at 800MHz per core
- 512GB of 64-bit wide LPDDR2 @ 533MHz
- 1Gb Nand Flash
- 1 display port (1xCVBS)
- 2 camera port (1xcomposite, 1x HD- SDI)
- Multi-stream-capable HD video engine delivering H.264 1080p60 decode,1080p30 encode and 3-D video playback in HD
- microSD 3.0/SDXC
- Audio
- 10/100 Mb Ethernet
- 1xUART
- 1xRS232
- General Purpose I/O for Device Control

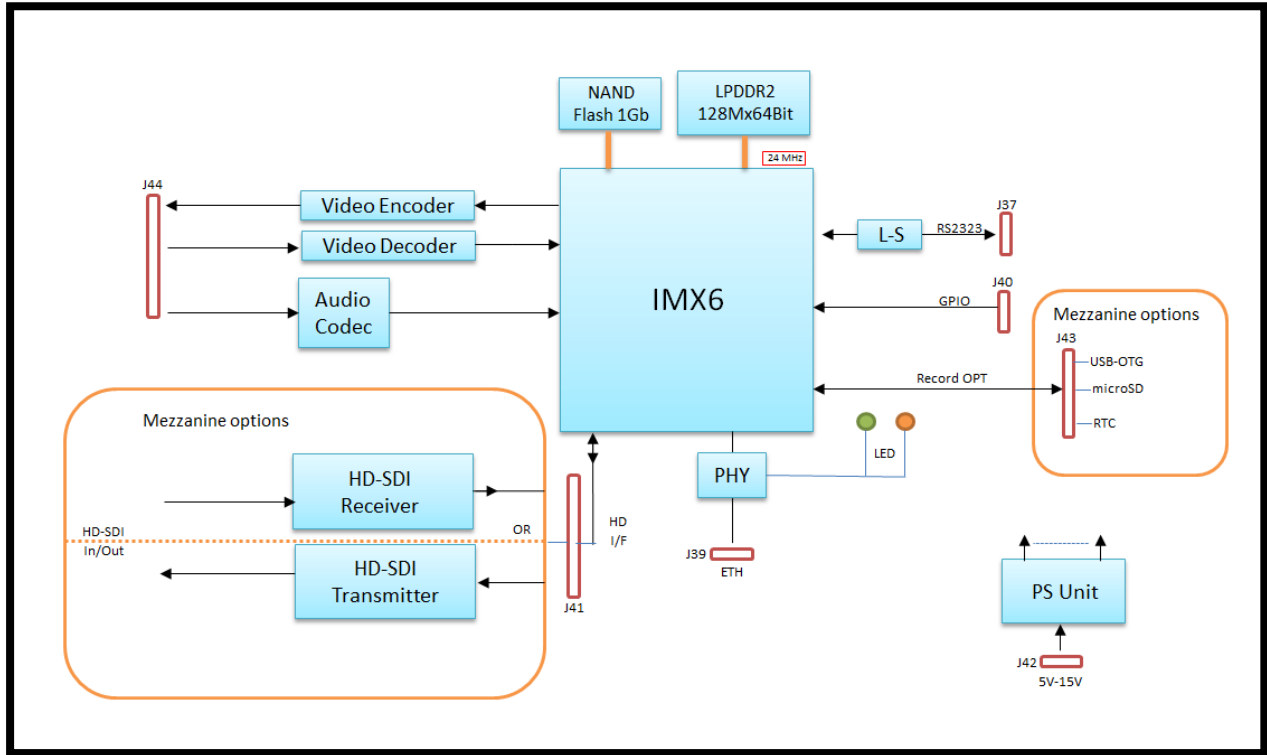
Electrical Characteristics

Parameter	Min	Typ	Max	Unit
Main Input Voltage	4.5		15	V
Power Consumption	-	TBD	-	W
Operating Temp	-40		+85	C
CPU Clock	-	800	-	MHz

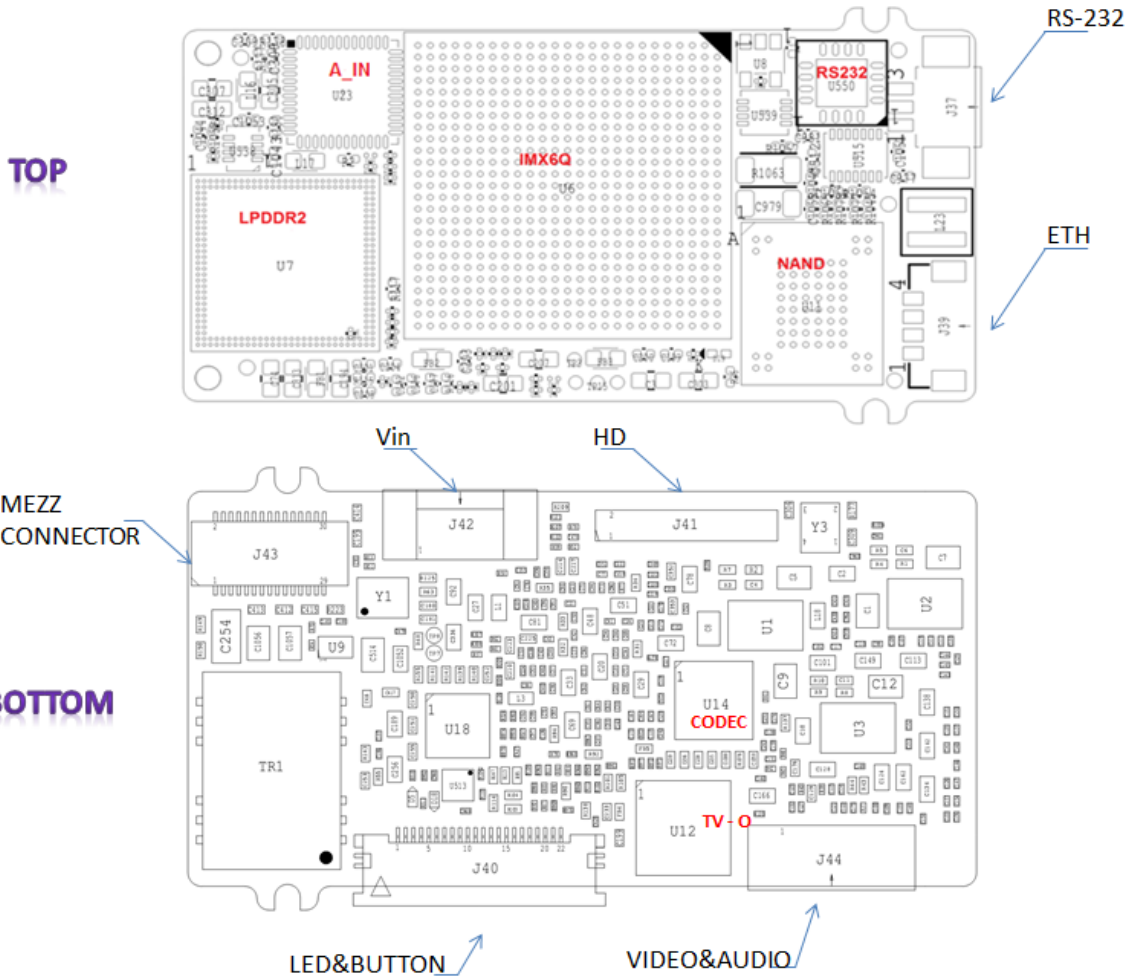
Connector Details

REF	COMPANY MANUFACTURING	PN
J42	molex	1040860410
J37		504195-0370
J39		5041950470
J44		504195-0670

Block Diagram



PLACEMENT



Pinout

J42 -POWER

Pin Num	Name
1	VIN
2	
3	GND
4	

J37 -RS232

Pin Num	Name
1	Tx
2	Rx
3	GND

J39 -ETHERNET

Pin Num	Name
1	ETH_Tx-P
2	ETH_Tx-N
3	ETH_Rx-P
4	ETH_Rx-N

J44 -VIDEO&AUDIO

Pin Num	Name
1	Analog - Out
2	GND
3	Analog - IN
4	GND
5	Mic
6	GND-Mic

Mounting

The overall dimensions of the NEPTUNE-nano board are 2x1inch.

